



<<F&F>> Filipowski sp. j.  
ul. Konstytucyjowa 79/81  
95-200 Pabianice  
tel/fax 42-2152383, 2270971  
e-mail: fif@fif.com.pl

## LE-02d

### THREE-PHASE ENERGY METER



5 19 0 8 3 1 2 1 5 9 2 6 8 6

www.fif.com.pl

Products from F & F are covered by 24 months warranty from date of purchase

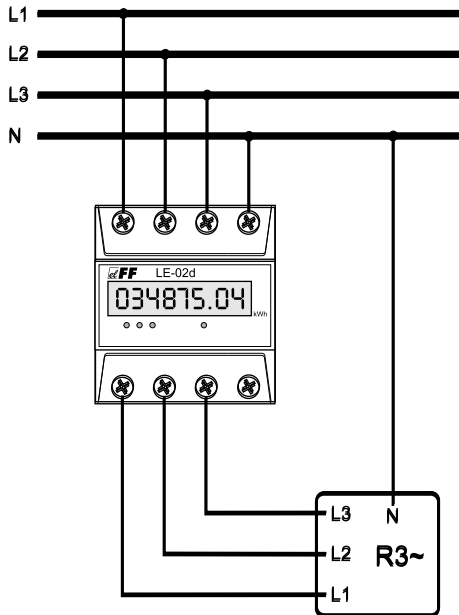
#### Purpose

LE is static (electronic) rated energy submeters which is to serve as an auxiliary meter to measure the energy consumption of the three-phase variable current in a direct system.

#### Functioning

Special electronic system under the influence of the flowing current and applied voltage in each phase generates pulses proportionally to the energy consumed in this phase. Power consumption in the phase is signalled with blinking of the appropriate LED (L1, L2, L3).

The sum of the pulses of the three phases signalled with blinking of LED (800imp/kWh) is counted over energy consumed in the whole three-phase system. Its value is indicated on the display LCD. The last digit in the counter indicates 0.1 kWh.(100Wh).



#### ATTENTION!

Meter is equipped with SO+ - SO- pulse outputs. It enables the connection with other impulse device (SO), reading the pulses generated by the meter.  
The connection of additional device is not required for the proper operation of am meter.

The meter has the possibility of sealing input and output terminals, preventing the meter-by-passing.

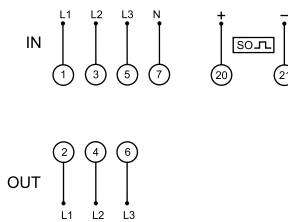
#### Mount

1. Disconnect power supply
2. Mount the meter on the rail into distribution box..
3. Connect power supply to terminals 1(L1), 3(L2), 5(L3).
4. Connect the measured circuit or single device to terminals 2(L1), 4(L2), 6(L3).
5. Connect circuit N to terminal 7.
5. Connect additional pulse device under terminal 20(+) - 21(-). ATTENTION! It is not compulsory.i 9(+) - 8(-).

#### Technical data

reference voltage	3×230/400V+N
basic current	5 A
maximum current	63A
minimum current	0,04A
measurement accuracy per IEC61036	class 1
counter's own power consumption	<10VA; <2W
drum counter indication range	0+999999,99 kWh
constant of a meter (1,25 Wh/pulse)	800 pulses/kWh
current consumption signal	3×red LEDs
read-out status signal	red LED
pulse output SO+ SO-	open collector
connection voltage SO+ SO-	< 30V DC
connection current SO+ SO-	< 27mA
constant SO+ SO- (1.25 Wh/pulse)	800 pulses/kWh
working temperature LE-02d	-20+55°C
protection level	IP20
connection	16mm <sup>2</sup> screw terminals
measurements	4,5 modules (75 mm)
fixing	on rail TH-35

#### CONNECTION DIAGRAM



A090618